

Daikin One Powered Ventilator

Description

The Daikin *One* Powered Ventilator is a cost-effective mechanical ventilation solution that helps manage the humidity and temperature in a home. Contractors and builders now have a practical offering for supplying constant outdoor air into the residence, meeting the ventilation requirements per ASHRAE 62.2 guidelines.

■ Standard Features

- Includes a MERV 16 filter that helps eliminate almost all airborne particulates from the incoming air stream (Optional MERV 13 filters available)
- Delivers between 40 and 100 CFM¹ of air to the home, adjustable in 10 CFM increments
- Adjustable climate control limits prevent air from entering the house when the on board sensors detect temperature or humidity outside of selected ranges
- Compact and versatile design: can be wall or ceiling-mounted in an attic, basement, garage or crawl space
- HVI Certified performance
- Cost-effective mechanical ventilation for homes
- Low operational sound levels
- Durable, white epoxy finish
- Suitable for use in single and/or multi-family projects

¹ When MERV 16 is used



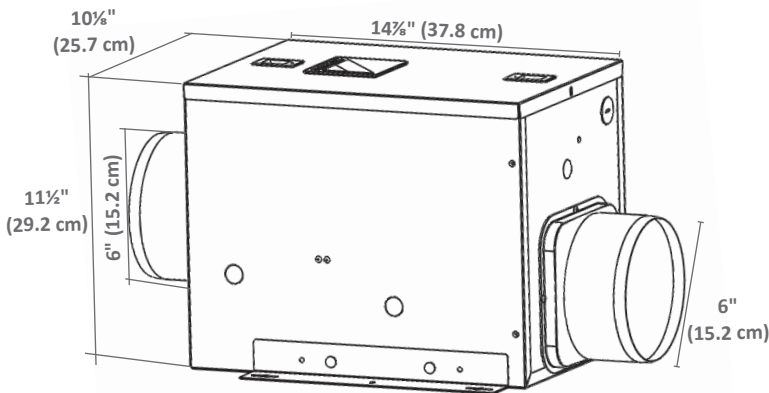
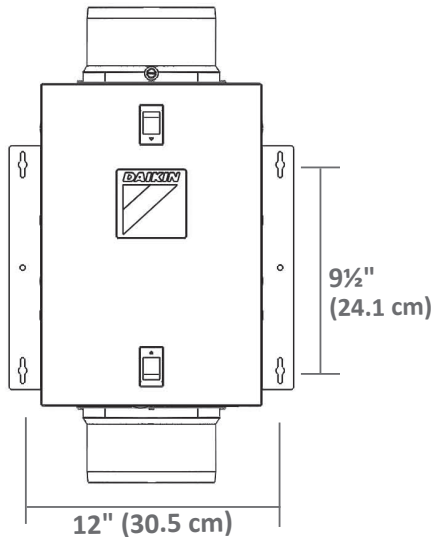
Part Number

DQ-P-16-100



Table 1 - Power consumption of Ventilator at various flowrates

Flow Rate @ 0.2" w.c.	
(CFM)	Power (W)
100	26.3
90	21.8
80	19.5
70	17.1
60	15.1
50	13
40	11.3



Blower Wheel

- Balanced polymeric dual inlet blower wheel secured in place using a hex nut.

Adjustable Capacity Motor

- 7 settings allow the ventilator to be set to the required intake flowrate.
 - Set-points include: 40, 50, 60, 70, 80, 90, and 100 CFM
 - 4 pole motor, permanently lubricated
 - 115/120 VAC, 60 Hz, 0.30 A.

Controller

- Unit mounted controller monitors temperature and humidity of incoming air and allows installer to configure ventilation flowrate and temperature and humidity limits for intake air.

Fan Housing

- Insulated 26 gauge baked epoxy housing. Overall dimensions: 14 7/8" H x 11 1/2" D x 10 7/8" W (37.6cm H x 29.2cm D x 25.7cm W).

Duct Collars

- 6" round, zinc plated metal collar adaptors.

Electrical Connections

- Unit is designed to be easily hard wired in the field

Filter Information

- Ventilator ships with 10" H x 10" W x 2" D (25.4 cm H x 25.4 W cm x 5.1 cm D) MERV 16 intake air filter. Optional MERV 13 filter (purchased separately) available as an after market service component.

Test Port

- Allows easy air flow measurement with Pitot tube or similar airflow measurement device.

Single Pack Shipping Info

- Shipping carton dimensions: 15 3/4" H x 12 3/4" W x 23" D (40 cm H x 32.4 cm W x 58.4 cm D)
- Shipping weight: 18 lbs (3.85 kg)

Ventilator Accessories

The capabilities of the Daikin *One* Powered Ventilator can be enhanced by adding any of the following optional accessories (sold separately):

- Heater (70 CFM & Higher) DQ-P-70-AH-H
- Motorized Damper kit DQ-P-MDV
- Air Intake Hood DQ-P-AIH