



# Submittal Data Sheet

DSEN-TH-BWS-A-Daikin ONE Wireless  
Temperature/Humidity Sensor

Project Name: \_\_\_\_\_

Location: \_\_\_\_\_

Engineer: \_\_\_\_\_

Submitted to: \_\_\_\_\_

Submitted by: \_\_\_\_\_

Reference: \_\_\_\_\_

Approval: \_\_\_\_\_

Date: \_\_\_\_\_

Construction: \_\_\_\_\_

Unit #: \_\_\_\_\_

Drawing #: \_\_\_\_\_

## MODEL COMPATIBILITY:

DTST-CWBSA-NI-A & DTST-CWBSA-NI-B



## SPECIFICATIONS:

## PRODUCT IMAGE:

<b>Model</b>	DSEN-TH-BWS-A
<b>Description</b>	Daikin ONE Wireless RHT Sensor
<b>Maximum Connections</b>	8 sensors per Daikin One+
<b>Power Requirements</b>	CR2450 Lithium Cell Battery
<b>Dimensions</b>	1.64"L x 1.64"W x .69"H
<b>Weight</b>	3.3oz
<b>Storage Temperature</b>	-22F – 122F
<b>Operation Temperature</b>	35F to 104F
<b>Humidity</b>	5-95% RH
<b>Compliance</b>	FCC (sub-gig ISM radio)



©2025 DAIKIN COMFORT TECHNOLOGIES MANUFACTURING, INC. • 19001 Kermier Rd Waller, TX • Printed in the USA.

[www.daikincomfort.com](http://www.daikincomfort.com) [www.daikincity.com](http://www.daikincity.com)

(Daikin's products are subject to continuous improvements. Daikin reserves the right to modify product design, specifications and information in this data sheet without notice and without incurring any obligations)



# Submittal Data Sheet

DSEN-TH-BWS-A-Daikin ONE Wireless  
Temperature/Humidity Sensor

Project Name: \_\_\_\_\_

Location: \_\_\_\_\_

Engineer: \_\_\_\_\_

Submitted to: \_\_\_\_\_

Submitted by: \_\_\_\_\_

Reference: \_\_\_\_\_

Approval: \_\_\_\_\_

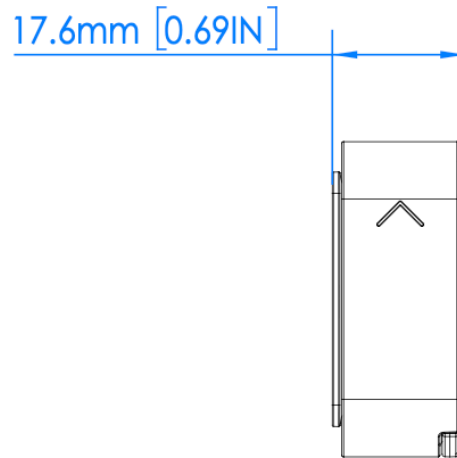
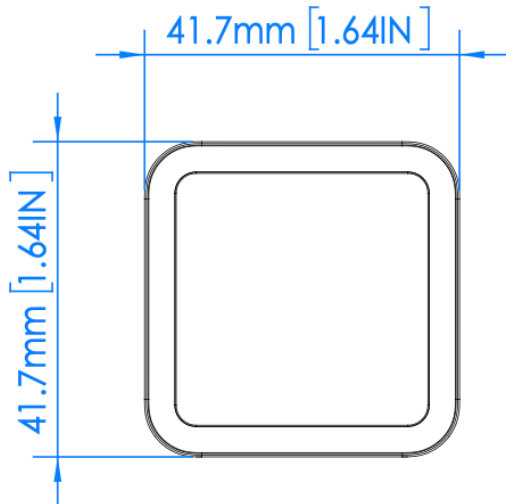
Date: \_\_\_\_\_

Construction: \_\_\_\_\_

Unit #: \_\_\_\_\_

Drawing #: \_\_\_\_\_

## DIMENSIONS:



- Wireless RHT Sensor:

## DOCUMENTATION:

Documentation available on [www.daikincity.com](http://www.daikincity.com) and/or [www.daikincomfort.com](http://www.daikincomfort.com)

- Submittal
- Installation Manual
- Product Flyer

©2025 DAIKIN COMFORT TECHNOLOGIES MANUFACTURING, INC. • 19001 Kermier Rd Waller, TX • Printed in the USA.

[www.daikincomfort.com](http://www.daikincomfort.com) [www.daikincity.com](http://www.daikincity.com)

(Daikin's products are subject to continuous improvements. Daikin reserves the right to modify product design, specifications and information in this data sheet without notice and without incurring any obligations)