



3P707625-6
EM22A037

Wire HARNESS ADAPTOR KIT FOR BYFQ60C3W1W DECORATION PANEL TO
CONNECT VRV-INDOOR UNIT (FXZQ05 ~ 18TBVJU)

3P707625-6

WHZQ-W1W-TBV



The two-dimensional bar
codes a manufacturing code.

INSTALLATION MANUAL

READ THE INSTRUCTIONS PROVIDED HEREIN CAREFULLY IN ADVANCE AND INSTALL THIS KIT CORRECTLY.

PLEASE READ THESE "SAFETY PRECAUTIONS" CAREFULLY BEFORE INSTALLING

- The following two conventions are used to indicate and classify precautions in this manual.
Always heed the important safety information provided with them.



WARNING

Failure to follow these instructions properly may result in personal injury or loss of life.



CAUTION

Failure to observe these instructions properly may result in property damage or personal injury, which may be serious depending on the circumstances.

- Make sure that the unit operates properly after completing the installation, and explain to the customer how to operate the unit and keep it maintained.
Also, advise the customer that they should keep this installation manual along with other manual for future reference.
- At the time of the installation, read the installation manual of the unit along with the electric diagram.



WARNING

Ask your dealer or qualified personnel to carry out installation work.

Do not attempt to install the air conditioner yourself. Improper installation may result in water leakage, electric shocks or fire.

Install the kit in accordance with the instructions in this installation manual.
Improper installation may result in electric shocks or fire.

Be sure to use only the specified accessories and parts for the installation work.
Failure to use the specified parts may cause the kit to fail or result in electric shocks or fire.

Make certain that all electrical work is carried out by qualified personnel according to the local laws and regulations and this installation manual, using a separate circuit.
Insufficient capacity of the power supply circuit or improper electrical construction may lead to electric shocks or fire.

Turn off the unit before touching electrical parts.
An electric shock may be received if charged parts come in contact with humans.

Be sure to use the specified wires and fix them securely so that no external force resulting from the wires will be imposed on any terminal connections.
Improper connections or securing of wires may result in abnormal heat build-up or fire.

Position the wires so that the cover will not rise when wiring the power supply.
Make sure that the cover is attached securely. If the cover is attached improperly, electric shocks or fire may result.

Disconnect all power before servicing. Multiple power sources may be present. Failure to do so may cause property damage, personal injury or death.

Attention Installing Personnel

As a professional installer, you have an obligation to know the product better than the customer. This includes all safety precautions and related items.

Prior to actual installation, thoroughly familiarize yourself with this Instruction Manual. Pay special attention to all safety warnings. Often during installation or repair, it is possible to place yourself in a position which is more hazardous than when the unit is in operation.

Remember, it is your responsibility to install the product safely and to know it well enough to be able to instruct a customer in its safe use.

The precautions listed in this Installation Manual are intended as supplemental to existing practices. However, if there is a direct conflict between existing practices and the content of this manual, the precautions listed here take precedence.

Information

- This product is usable with Decoration Panel for connecting to Indoor unit in the table 1 (List of combination).
- In addition to the instruction below, follow the directions outline in the installation manuals for the Indoor unit (FXZQ*) and Decoration Panel.
- Check if the following accessories are included in this Kit. (Table 2)

KIT NAME	DECORATION PANEL	MODEL NAME OF THE INDOOR
WHZQ-W1W-TBV	BYFQ60C3W1W	FXZQ ~ TBVJU

Table 1

NOTE : Do not throw away the accessories until the installation work is completed.

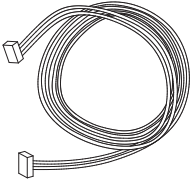
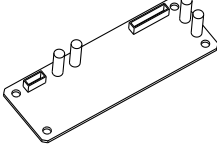
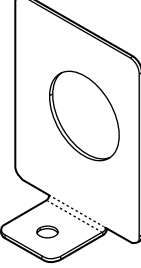
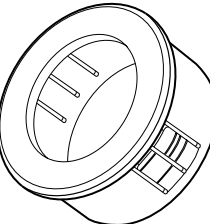
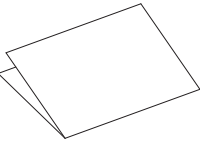
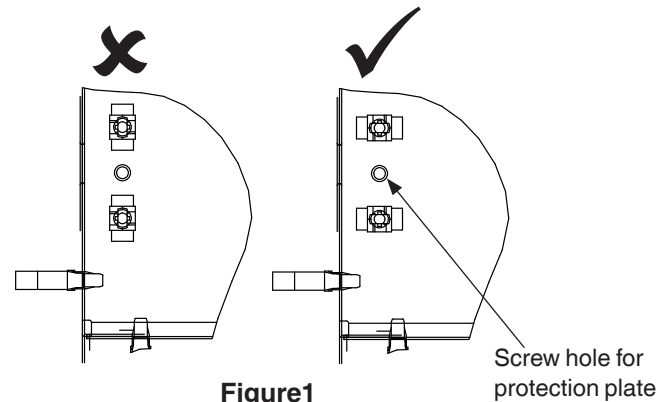
NAME	Relay Harness	Sub-PCB	Sheet Metal Protection plate	Snap Bushing	Installation Manual
NO. OF PCS.	1	1	1	1	1
SHAPE					

Table 2

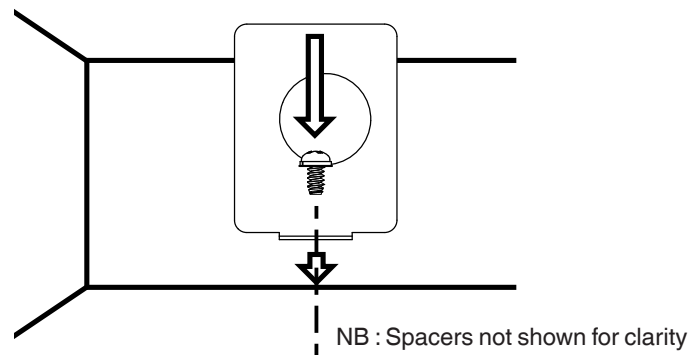
Installation Instructions

1. Remove panel cover to allow access for E-Box.
2. Remove sealing foam covering sheet metal protection plate location.
3. Remove all remaining adhesives after removing sealing foam, then clean surface properly.
4. Modify Sub-PCB spacers (labeled on figure 4) orientation to be horizontal. (See Figure 1)
5. Install sheet metal protection plate into E-Box using Phillips screwdriver. (See Figure 2)
6. Install Snap Bushing to the hole of Sheet Metal Protection plate.
7. Align Sub PCB with spacers, then press gently to install. (See Figure 3)
8. Pass decoration panel lead wire through protection plate, then connect to X105A connector on Sub PCB. (See Figure 4)
9. Connect Relay harness to X36A connector on the PCB of New 2x2 Cassette and X104A connector on Sub PCB. (See Figure 4)
10. Reinstall panel cover and follow instructions for indoor unit to complete installation process.

NB : After all wiring connections are done, fill in any gaps on the wiring openings with putty or sealing pad (small) thus to prevent small animals or dirt from entering the unit from outside and causing short circuit in the control box.



**Figure1
Spacers orientation**



**Figure2
Protection plate installation**

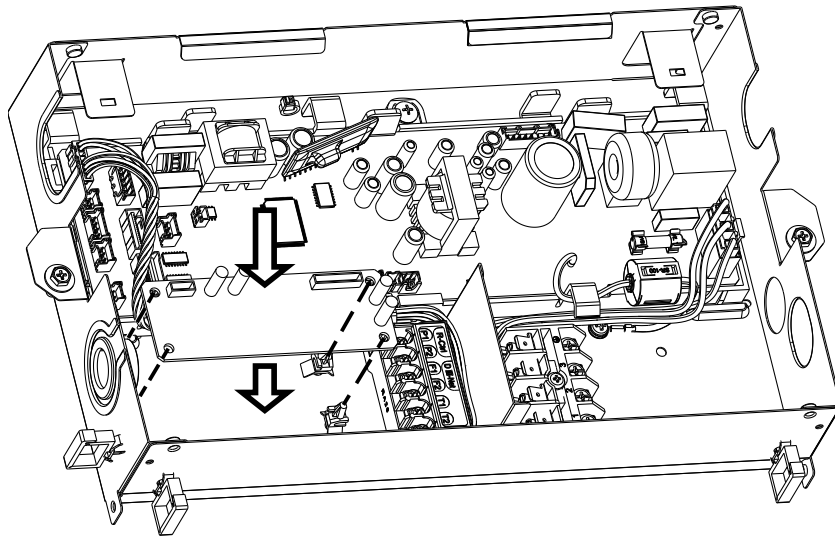


Figure3
Sub PCB Installation

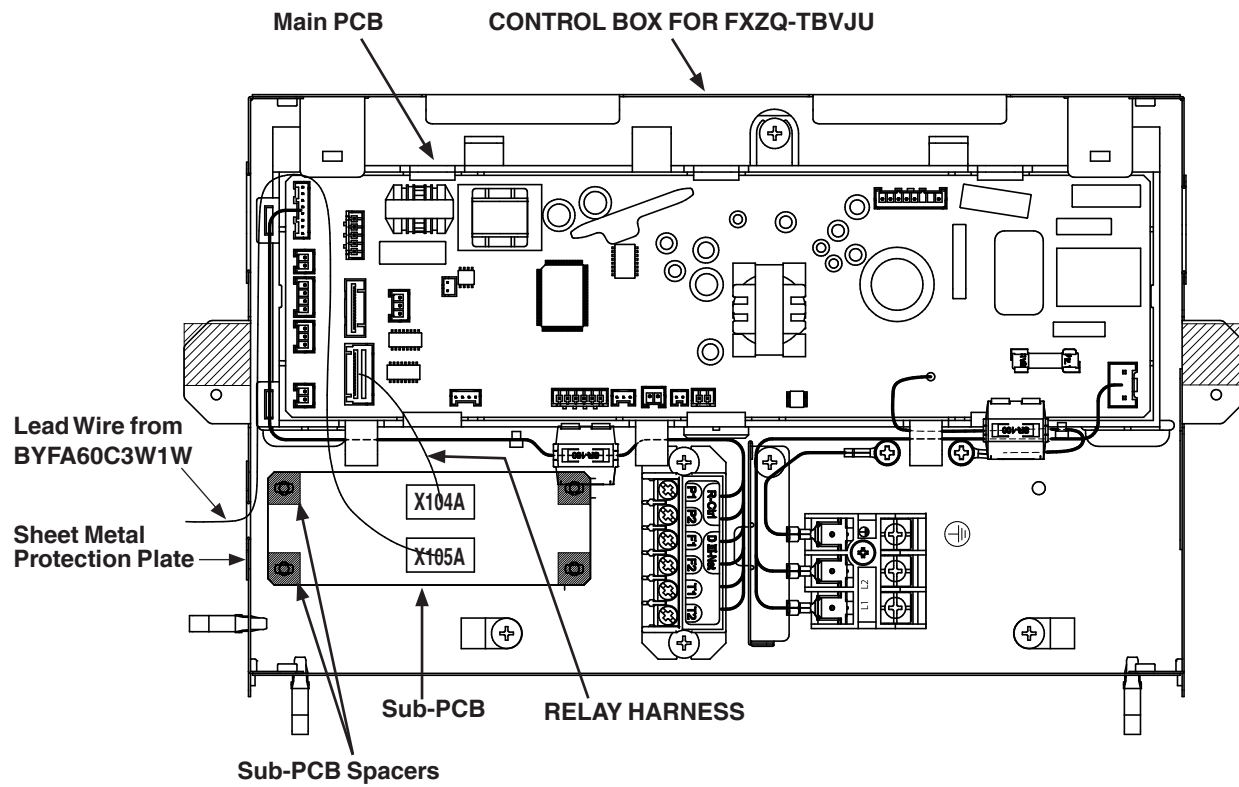


Figure4
Indoor Unit E-BOX Assembly

